

# Marking and Packing

## ● Example of marking

### ■ Steel sheet

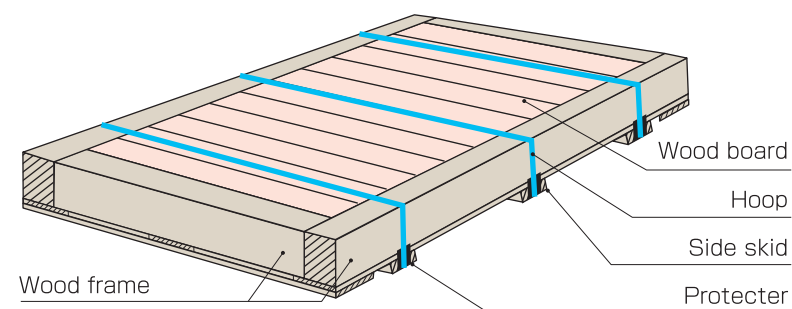
COLD ROLLED STAINLESS STEEL SHEETS		SHEETS 106	
SPEC: SUS304			
SIZE	0.8 X 4' X 8'	FINISH BA	
N.M (ACT)	1,971KG	G.M (ACT)	2,120KG
INSPECTION NO.	31-A3874	CASE NO.	0000001
		CAST NO.	E32880
NIPPON STEEL & SUMIKIN STAINLESS STEEL CORPORATION			HIKARI WORKS MADE IN JAPAN G2

### ■ Steel coil

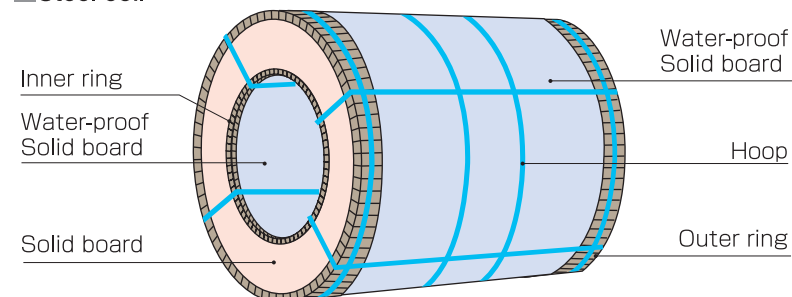
COLD ROLLED STAINLESS STEEL SHEET IN COIL			
SPECIFICATION		FINISH	
SUS304		NO. 2B	
SIZE	0.5 X 1000.0 X C		
NET MASS (ACT)	4,321KG	GROSS MASS (ACT)	4,362KG
		COILS	1
INSPECTION NO.	31-40139	CASE NO.	0000001
		CAST NO.	E32764
NIPPON STEEL & SUMIKIN STAINLESS STEEL CORPORATION			HIKARI WORKS MADE IN JAPAN

## ● Example of packing

### ■ Steel sheet



### ■ Steel coil



# Product Handling Instructions

If stainless steel sheets are improperly handled or used, they cannot fully exhibit their characteristic features. When handling or using stainless steel sheets, attention should be paid to the following points.

## ● Storage and Unloading

1. If stainless steel sheets get wet during unloading or storage, rusting will occur. Accordingly, stringent care should be taken to avoid their unloading on rainy days or their getting wet by seawater. Storage at high humidity or in a sulfur-dioxide atmosphere should be avoided. Storage in a dry, clean place is recommended.
2. Damaged packing paper should be repaired.

### ⚠ Warning

- The falling and rolling of coils or the collapse of piled sheets are extremely dangerous. To prevent accidents, attention must be paid to their secure storage.

## ● Handling

1. To avoid injury, do not handle unpacked sheets by bare hand. In handling these sheets, careful handling and use of protective gloves are recommended.

### ⚠ Warning

- When the coil binding hoops are removed, the removal should be performed with the coil end located directly under the coil center to avoid sudden spring-out, or these operations must be done in a place where safety can be assured and no danger is posed if the coil end springs out upon release.
- The coil is formed by winding flat strip under tension. When the binding hoops are removed, this tension is released and the coil end will spring out endangering workers or causing damage. Careful attention must be paid to coil handling operations.

# Information Required with Orders

Stainless steel sheet and strip can demonstrate their optimum characteristic performances when the appropriate steel grade is properly selected in terms of application, design, fabrication and other similar conditions. Please place your orders after obtaining the advice of Nippon Steel & Sumikin Stainless Steel regarding the above conditions.

## ● When placing orders

Please include the following information as specifically as possible.

1. Specification and steel grade, finish, thickness, width, length, quantity and the like of stainless steel sheet or strip
2. End use and fabrication conditions, application, application conditions, welding and bending conditions, and the like
3. Delivery term.

## ● Technical services

Please feel free to consult Nippon Steel & Sumikin Stainless Steel's headquarters or its sales offices as to technical matters such as grade selection and applications of stainless steel sheet and strip. Nippon Steel & Sumikin Stainless Steel is ready to offer appropriate technical services on the basis of extensive research and expertise and achievements accumulated over long years of technical services.